

EMAS Supplies & Services Pte Ltd

119 UBI AVE 4, TONG XING COMPLEX

SINGAPORE 408765

TEL : +65 67446648

EMAIL : EMAS@PALMAIR.COM

Valeo

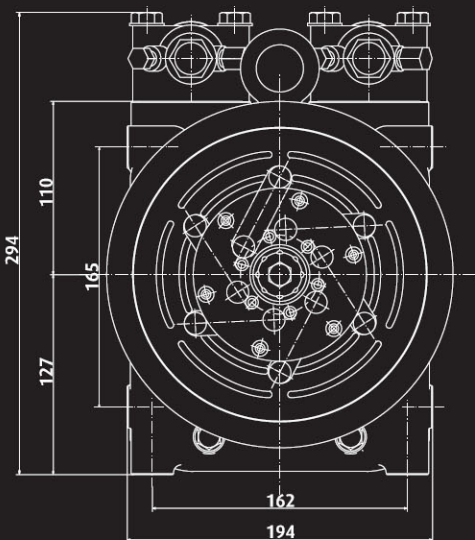
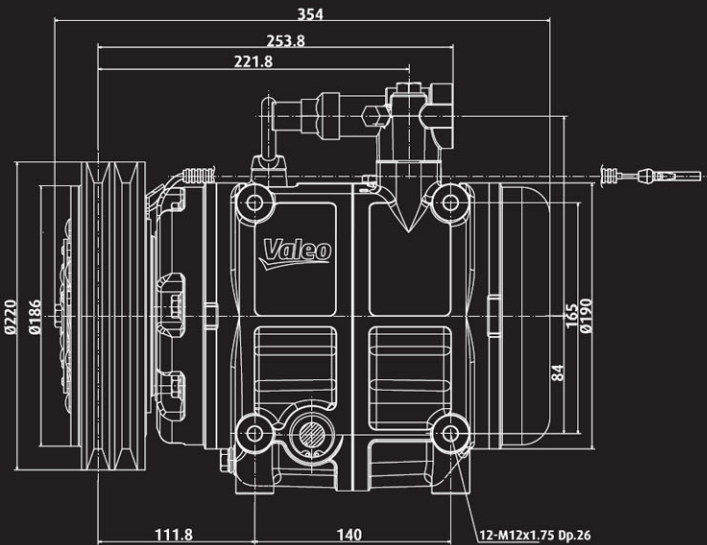
EMAS

Compressor for bus air conditioning

TM55 / TM65

HEAVY DUTY

Made In Japan



MODEL	TM-55	TM-65
TECHNOLOGY	Heavy Duty Swash Plate	
DISPLACEMENT	550 cc / 33.56 in ³	635 cc / 38.75 in ³
NUMBER OF CYLINDERS	14 (7 double-headed pistons)	
REVOLUTION RANGE	600-4000 rpm	
DIRECTION OF ROTATION	Clockwise (viewed from clutch)	
BORE	38.5 mm (1.52 in)	
STROKE	33.7 mm (1.30 in)	38.9 mm (1.53 in)
LUBRICATION SYSTEM	Lubrication by oil pump	
REFRIGERANT	HFC-134a	
OIL (QUANTITY)	ZXL 100PG PAG OIL (1500cc / 0.40 gal) (or POE Option)	
WEIGHT	18.1kg / 39.9lb (w/o Clutch)	
DIMENSIONS Length - Width - Height	341 - 194 - 294 (mm) 13.4 - 7.64 - 9.33 (in)	
MOUNTING	Direct (side or base)	

EMAS Supplies & Services Pte Ltd

119 UBI AVE 4, TONG XING COMPLEX SINGAPORE 408765

TEL : +65 67446648 EMAIL : EMAS@PALMAIR.COM

valeo added 